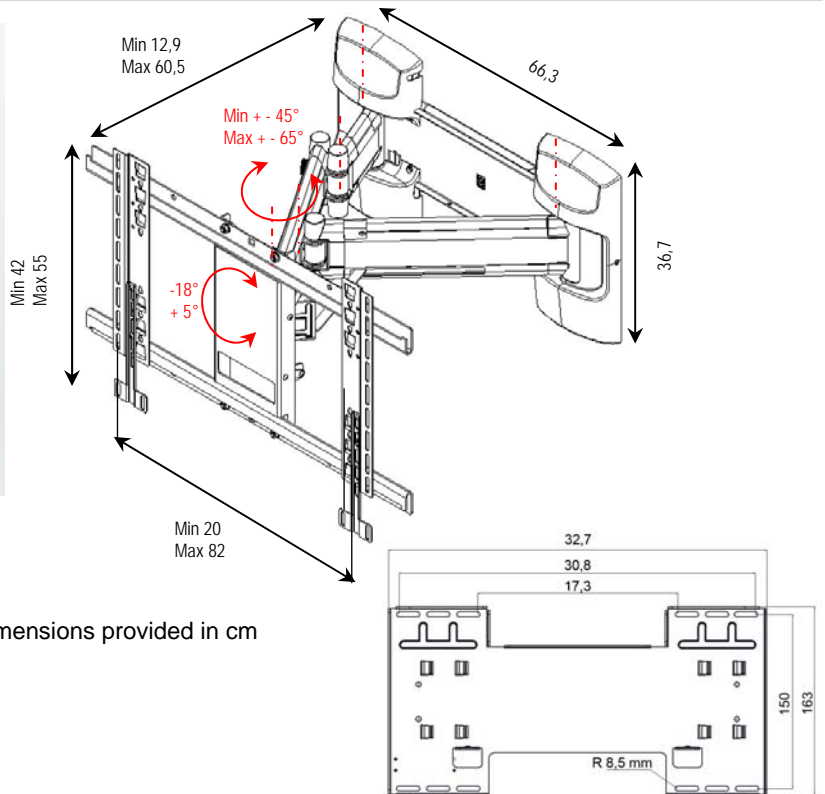
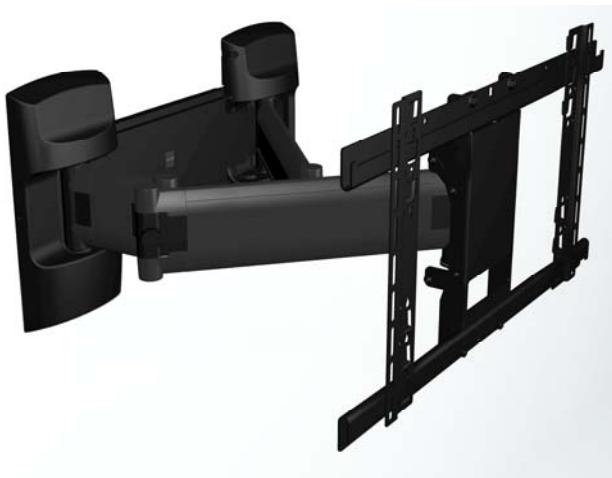
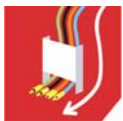


• **Tilting and rotating wall mount for large sizes screens**

- Manual tilt and swivel of the screen to watch television from wherever you are in the room
- Easy installation system using a 2 part structure (independent wall mounting plate): Only 1 person required!
- Patented security system to prevent falls
- Anti wall collision system adjustable to your screen size
- Easy handling system: you can swivel your screen and adjust the offset using only one hand
- Pre-assembled and pre-adjusted
- Adjustable hinges for fine tuning
- Cable management system



**SPECIFIC FUNCTIONS**



-18°  
+ 5°

+ - 45°



70 kg



37'' - 65''

- Horizontal screen adjustment +/- 2° even when screen is mounted
- Delivered with universal mount (VESA 200 up to 800/550)
- Continuous Tilt adjustment (-18° / + 5°)
- Screen pulls out perpendicular to the wall (Possible corner integration)
- Wall mount plate secured by 4-8 anchor points for full wall or 2 wood stud mounting
- Drilling template
- Security system with automatic locking of the screen tilt
- Cable Management using hoods that clip onto each arm and wall mounting plate
- Steel Construction
- Hardware for almost any screen
- Spirit level

**Possible Options :**

- **LIGHTING** : LIGHT MOTION® Ref 2557 ambient lighting system between the hoods of the wall mounted plate
- **CABLE DUCT** : unobtrusively tidies and hides cables and can be painted with either glycerol or acrylic based paint. 2 positions for adjusting to the cables thickness