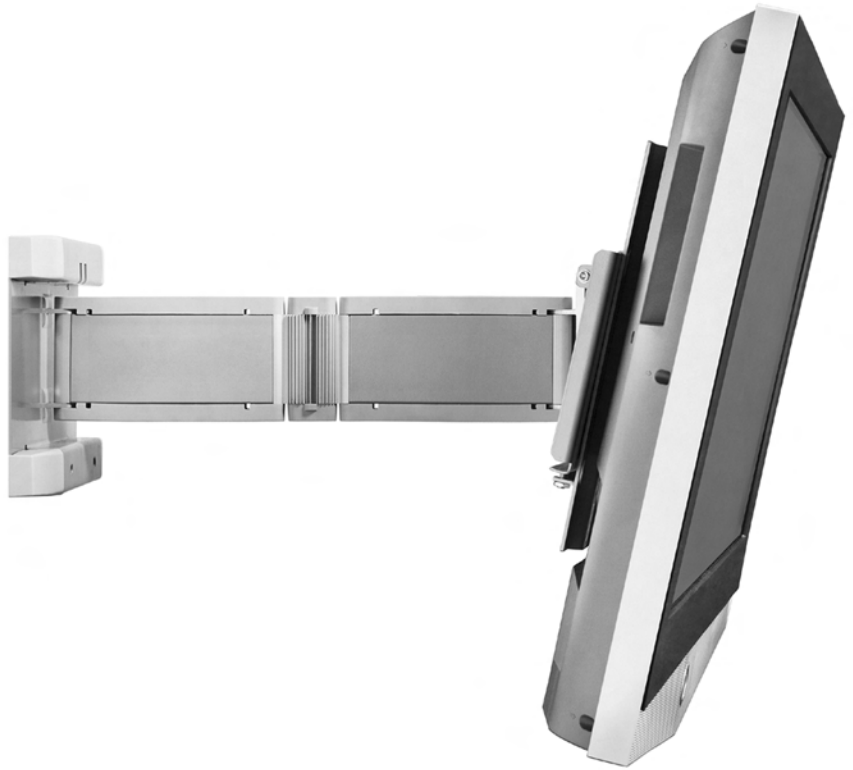


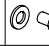
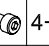



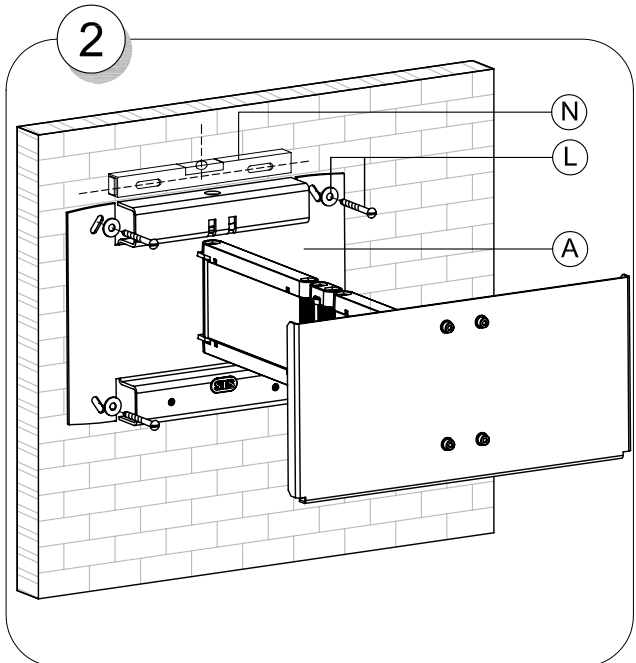
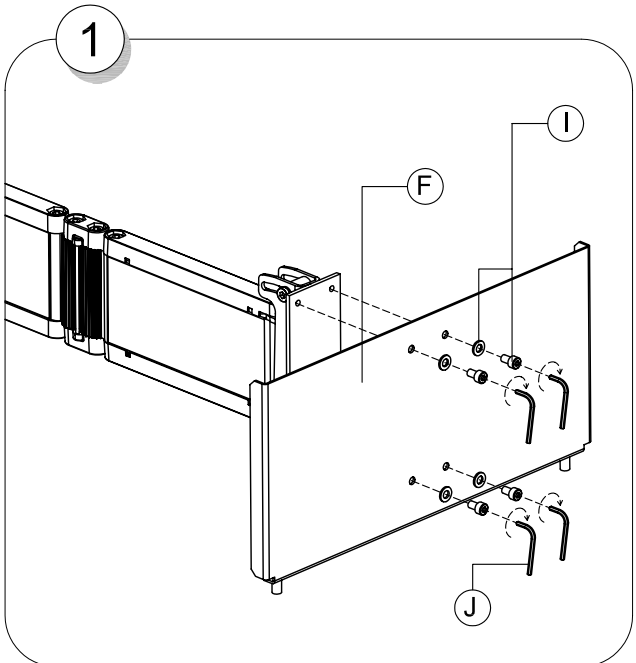
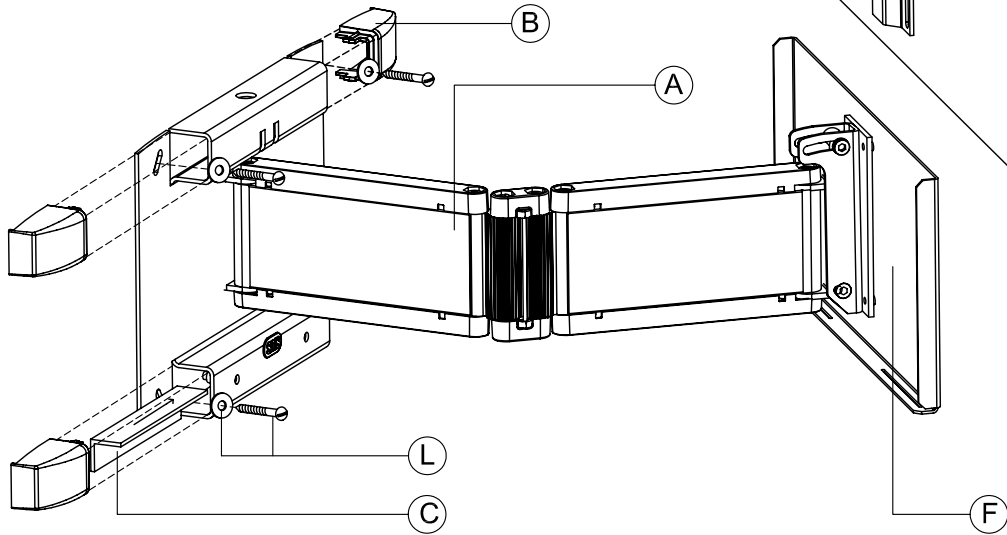
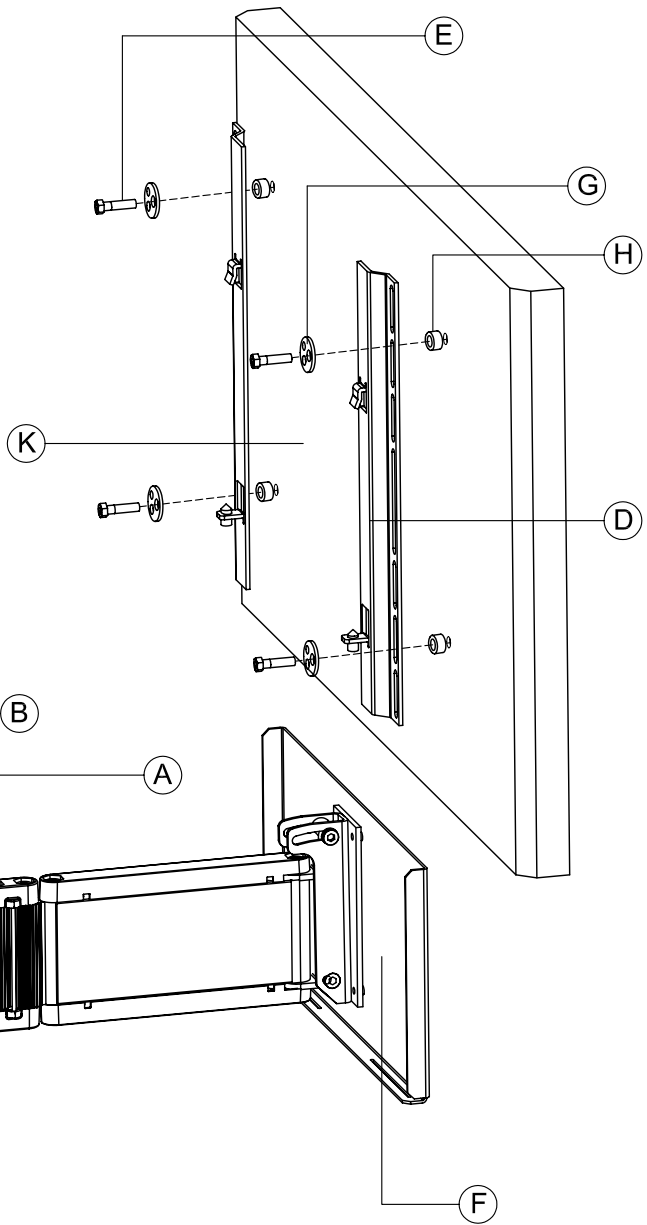
# SMS FLATSCREEN WM 3D



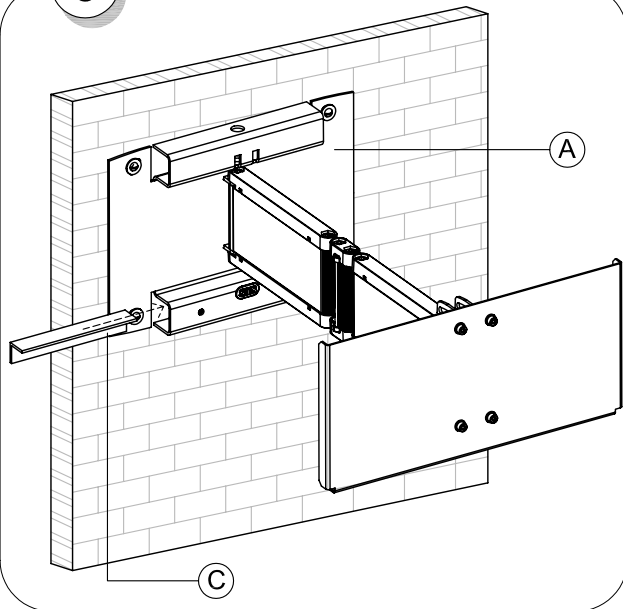
Contents

A.	SMS Flatscreen WM 3D wall bracket	1
B.	Plastic Covers	4
C.	L- Bar	1
D.	Vertical Plates	2
E.	Screws (Kit)	1
F.	Central Plate	1
G.	Multiple washers	 4
H.	Dist. washers (If required)	 4
I.	M6X10 Screws + Washers	  4+4
J.	Allen Keys	 4

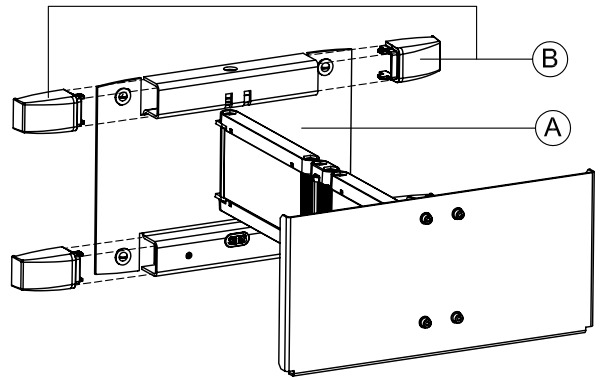
K.	Screen ( Not included )
L.	Wall Screws+Washers ( Not included )
M.	Plastic Straps (to attach cable to arm)
N.	Carpenters Level (Not included)



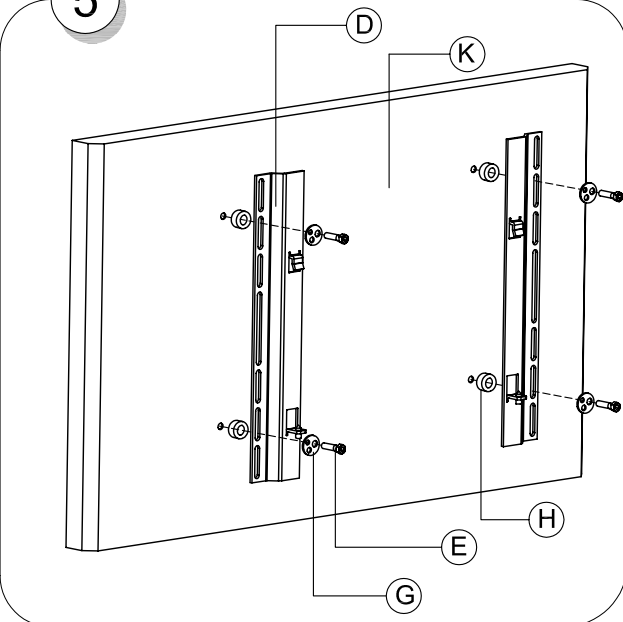
3



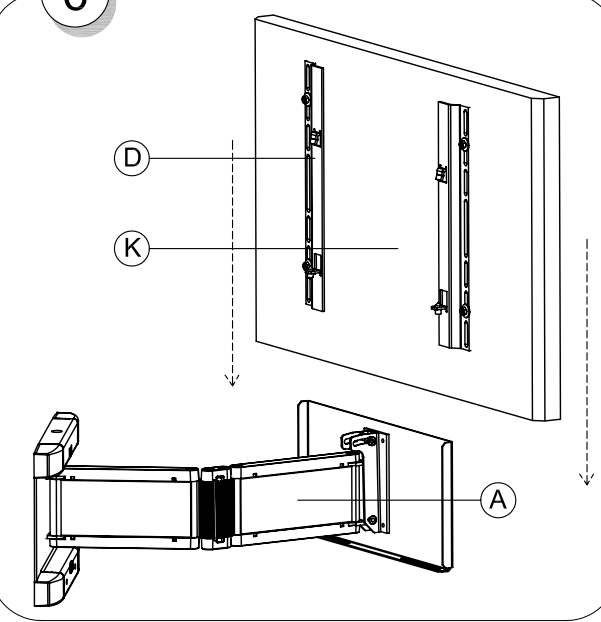
4



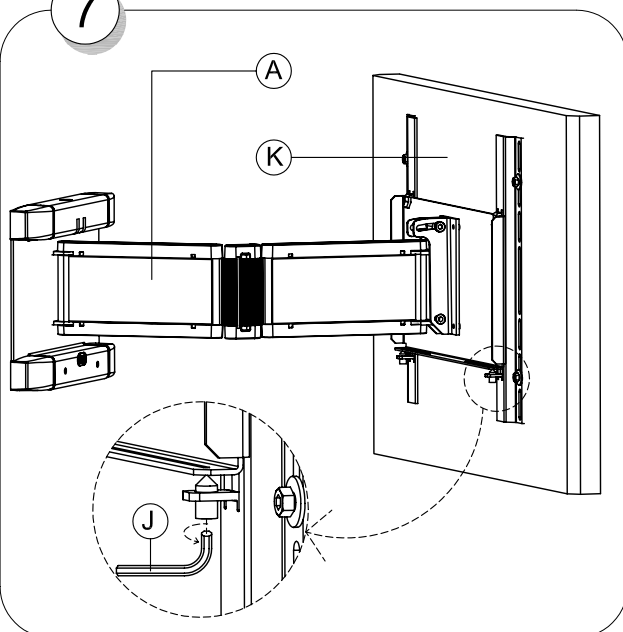
5



6



7



8

