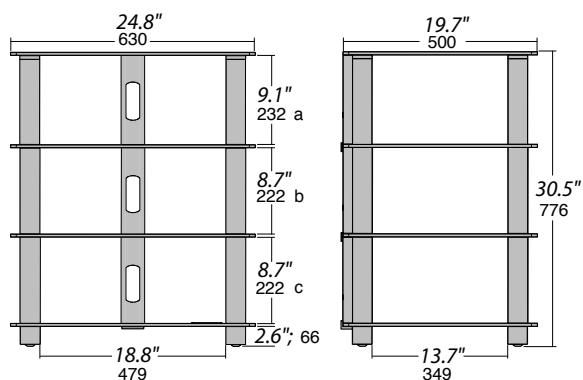
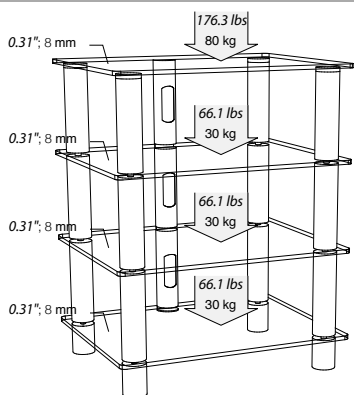




Specifications



Structure: Satin brushed steel finish.
Shelves: Tempered glass.
 Wire path.
 Ball-bearing feet.

Maximum load: Top shelf can hold up to 176.3 lbs; 80 kg
 Internal shelves can hold up to 66.1 lbs; 30 kg

Overall dimensions: W24.8" x D19.7" x H30.5"
 W630 x D500 x H776 mm

Internal shelves: W18.8" x D13.7"
 W479 x D349 mm

Superior shelf: W24.8" x D19.7"
 W630 x D500

Height between shelves: a: 9.1"; 232 mm

b: 8.7"; 222 mm

c: 8.7"; 222 mm

Delivered in flat box.

Accessories: Screws kit, mounting instructions, mounting tools.

Brown packaging.

Packaging size: W28.9" x D22.8" x H5.3"
 W735 x D580 x H135 mm

Gross weight: 75.4 lbs; 34,2 kg

Net weight: 71 lbs; 32,2 kg

Number of labels: 1 front and 1 back.

Details

On the same range:

