

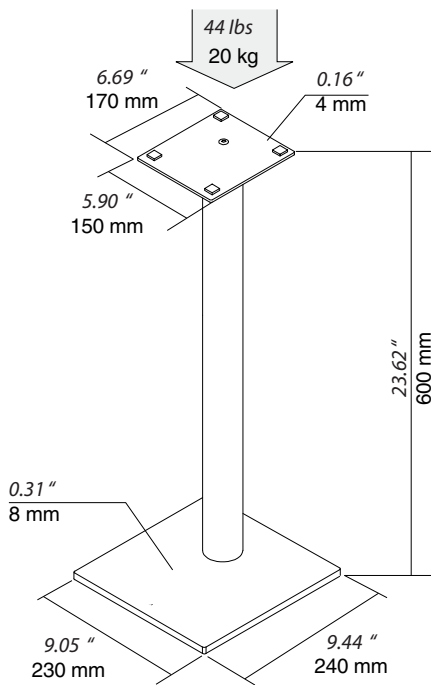
The original design (combination of glass and brush steel) of this speaker stand will highlight yours speakers and will be part of a harmonious interior decoration together with your audio system.

This is a wise choice for all of you : neophytes, enthusiasts or audiophiles.

This is a wise choice for all : neophytes, enthusiasts or audiophiles.



## Specifications



Design : Satin brushed steel finish  
 Base plate : clear tempered glass  
 Cable management system  
 Transparent rubber pads

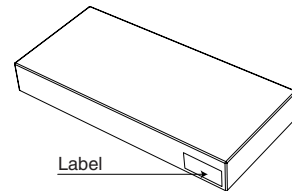
Max load : 44 lbs ; 20 kg

Dimensions : External (W, H, D) : 9.05 x 23.62 x 9.44 "  
 230 x 600 x 240 mm  
 Upper shelf (W, D) : 5.90 x 6.69 "  
 150 x 170 mm

Accessories : Screws kit, mounting instructions, mounting tools

Packaging : Delivered in flat box  
 Size (W, H, D) : 24.4 x 11.22 x 3.34 "  
 620 x 285 x 85 mm

Color : White  
 Qty / box : 2  
 Gross weight : 13.22 lbs ; 6 kg  
 Net weight : 11,68 lbs ; 5,30 kg



## Details

On the same range :

